

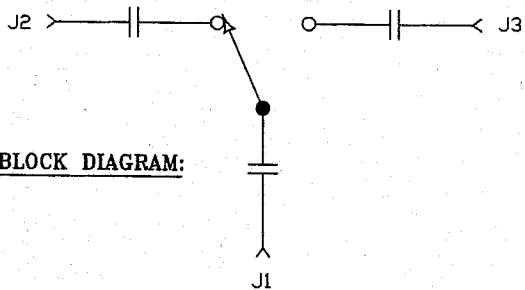
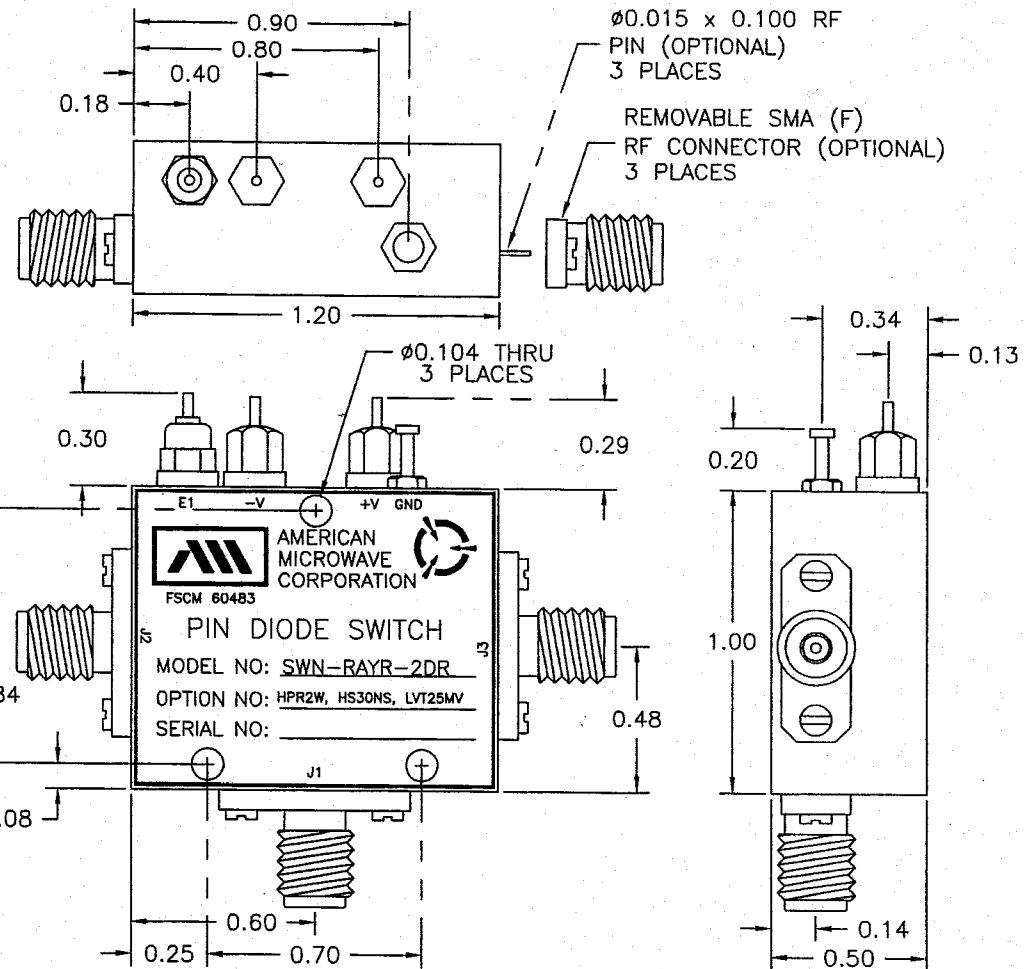
DESCRIPTION:

AMC MODEL SWN-RAYR-2DR, OPTION: HPR2W, HS30NS, LVT25MV IS A SINGLE POLE TWO THROW, REFLECTIVE SWITCH MODULE WITH VERY LOW INSERTION LOSS, HIGH ISOLATION AND WITH INTEGRAL TTL DRIVER, DESIGNED FOR ULTRA LOW VIDEO TRANSIENT, HIGH POWER AND OPERATING BETWEEN 600 MHz TO 1300 MHz.

| REVISIONS | | | |
|-----------|------|--------------------------------|----------|
| ZONE | REV. | DESCRIPTION | DATE |
| | | ORIGINAL RELEASE JOB# 302017XE | 03/05/03 |

SPECIFICATIONS:

- FREQUENCY: 600MHz TO 1300MHz
- INSERTION LOSS: 2dB MAXIMUM
GOAL 1dB
- ISOLATION: 60 dB MINIMUM
- VSWR: 1.5:1
- SPEED: 30nS
- POWER HANDLING: 2 WATTS MINIMUM
GOAL 4 WATTS
- TEMPERATURE: 0° TO 45° C
- CONNECTORS: SMA FEMALE
- VIDEO LEAKAGE: 25mV MAXIMUM
GOAL 10mV
- POWER SUPPLY: ± 15V OR ± 12V @ ±150mA



BLOCK DIAGRAM:

ENVIRONMENTAL RATINGS:

- TEMPERATURE: -55°C TO +85°C (OPERATING)
..... -65°C TO +125°C (STORAGE)
- HUMIDITY: MIL-STD-202F, METHOD 103B COND. B
- SHOCK: MIL-STD-202F, METHOD 213B COND. B
- VIBRATION: MIL-STD-202F, METHOD 204D COND. B
- ALTITUDE: MIL-STD-202F, METHOD 105C COND. B
- TEMPERATURE CYCLE: MIL-STD-202F, METHOD 107D COND. A

NOTE: THE ABOVE SPECIFICATIONS ARE SUBJECT TO CHANGE OR REVISION

ALL DIMENSIONS ARE IN INCHES
TOLERANCES:
X.XX ±0.010
X.XXX ±0.005

CONFIDENTIAL AND PROPRIETARY

| | | | |
|-------------------|---------|---|----------|
| PART NO. | | AMERICAN MICROWAVE CORPORATION FREDERICK, MARYLAND | |
| APPROVALS | DATE | TITLE | |
| DRAWN <i>KAB</i> | 9/05/03 | PRODUCT FEATURE SWN-RAYR-2DR | |
| CHECKED <i>UP</i> | 2/24/03 | OPT. HPR2W, HS30NS, LVT25MV | |
| ISSUED | | SIZE | FSCM NO. |
| | | A | 60483 |
| | | DWG NO. | 100-6557 |
| | | SCALE | N:S |
| | | SHEET | 1 of 3 |